



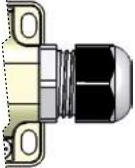
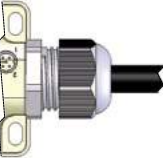
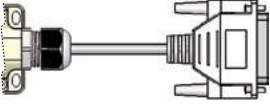
JDC (M12) Junction Blocks

4 Port, 5 Pin JDC Junction blocks

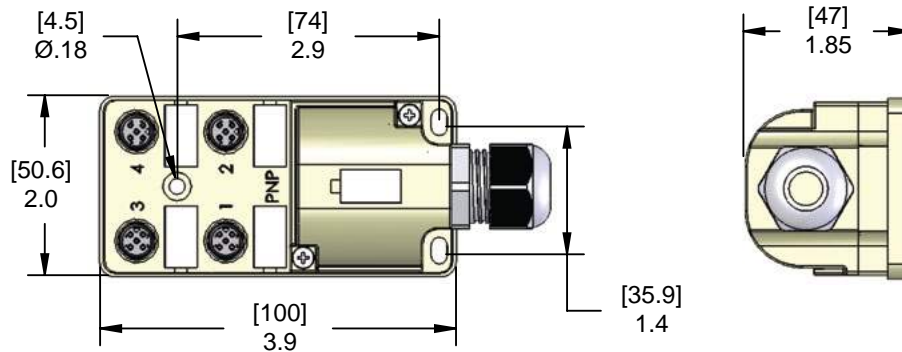


Field Wireable | Cable | D-Sub | IP67 Protection Rating



Trunk Style	UL Rating	Trunk Connection	Part Number		
			No LED	PNP	NPN
	UL Listed	Field Wireable 24 AWG - 16 AWG	JDC-450-011-F000	JDC-45P-211-F000	JDC-45N-211-F000
	UL Listed	Black PUR AWM With Foil Shield 24 AWG Drain Wire 3 x 18 AWG 4 x 22 AWG 8.6mm OD	JDC-450-011-C**	JDC-45P-211-C**	JDC-45N-211-C**
	N/A	Gray PVC With Foil Shield 20 AWG Drain Wire 21 x 24 AWG 4 x 20 AWG	JDC-450-025-D**	JDC-45P-225-D**	JDC-45N-225-D**

** Lengths in meters. Standard cable lengths are 2m, 5m and 10m. Consult factory for other lengths.

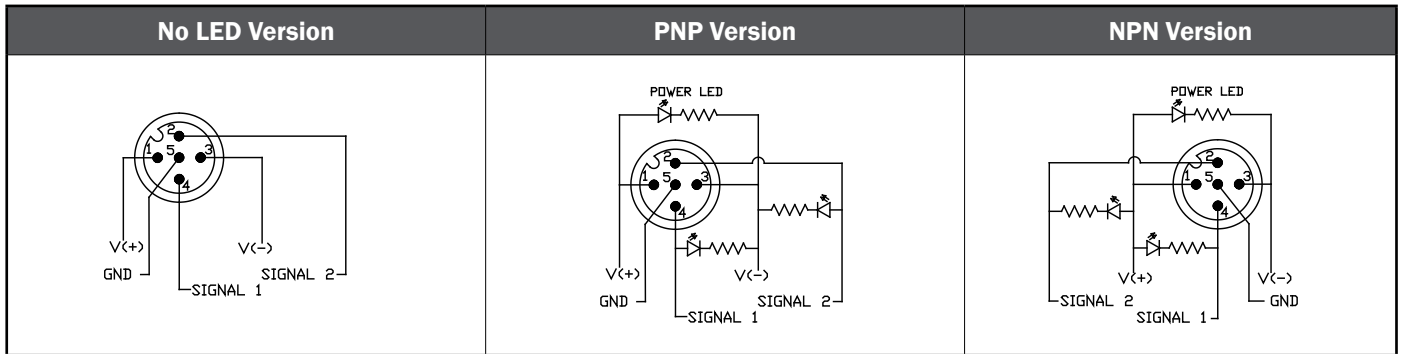


JDC Junction Blocks

Q

Specifications:

Ratings:	3 A per Connector 8 A per Block	Inserts:	Polyamide
Voltage:	Without LEDs: 0-150 Volt Max With LEDs: 48 VDC Max in accordance with LED Configuration	Port Coupling Nuts:	PBT
Body:	Polypropylene	O-Ring:	BUNA-N
		LED Lens:	Polycarbonate
		Contacts:	Copper Alloy with Gold Plating
		Marker Tags:	Polyamide (supplied on all units)



Function	Cable Version	25 PIN Male D-SUB
	Cable O.D. 0.34"	
+ V	Brown	PIN #22 & #23
- V	Blue	PIN #24 & #25
Ground	Green/Yellow	Shield
PORT 1 PIN 2	Pink	PIN # 1
PORT 1 PIN 4	White	PIN #2
PORT 2 PIN 2	Red	PIN #3
PORT 2 PIN 4	Green	PIN #4
PORT 3 PIN 2	Black	PIN #5
PORT 3 PIN 4	Yellow	PIN #6
PORT 4 PIN 2	Violet	PIN #7
PORT 4 PIN 4	Gray	PIN #8